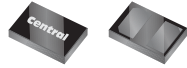


**CFSH2-4L**  
**SURFACE MOUNT**  
**SILICON SCHOTTKY DIODE**



[www.centrasemi.com](http://www.centrasemi.com)

**TLP**™  
Tiny  
Leadless  
Package



Top View    Bottom View

**SOD-882L CASE**

**DESCRIPTION:**

The CENTRAL SEMICONDUCTOR CFSH2-4L is a high quality Schottky Diode designed for applications where ultra small size and power dissipation are prime requirements. Packaged in a Tiny Leadless Package™ (TLP™), this component provides performance characteristics suitable for the most demanding size constrained applications.

**MARKING CODE: N**

**APPLICATIONS:**

- DC / DC Converters
- Voltage Clamping
- Protection Circuits
- Battery powered devices including Cell Phones, Digital Cameras, Pagers, PDAs, Laptop Computers, etc.

**FEATURES:**

- Device is **Halogen Free** by design
- Current ( $I_O=200\text{mA}$ )
- Low Forward Voltage Drop ( $V_F=0.53\text{V TYP @ }200\text{mA}$ )
- Low Reverse Current ( $350\text{nA TYP @ }40\text{V}$ )
- Small TLP™, 1mm x 0.6mm x 0.4mm, ultra low profile, Leadless Surface Mount package.

**MAXIMUM RATINGS:** ( $T_A=25^\circ\text{C}$ )

Peak Repetitive Reverse Voltage  
Average Forward Current  
Peak Forward Surge Current,  $t_p=8.3\text{ms}$   
Power Dissipation  
Operating and Storage Junction Temperature  
Thermal Resistance

SYMBOL		UNITS
$V_{RRM}$	40	V
$I_O$	200	mA
$I_{FSM}$	1.0	A
$P_D$	100	mW
$T_J, T_{stg}$	-65 to +125	$^\circ\text{C}$
$\theta_{JA}$	1000	$^\circ\text{C/W}$

**ELECTRICAL CHARACTERISTICS:** ( $T_A=25^\circ\text{C}$  unless otherwise noted)

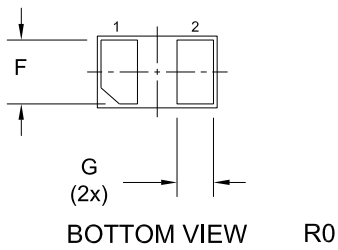
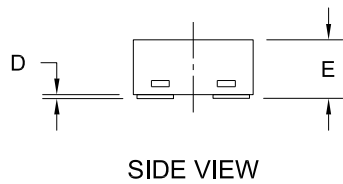
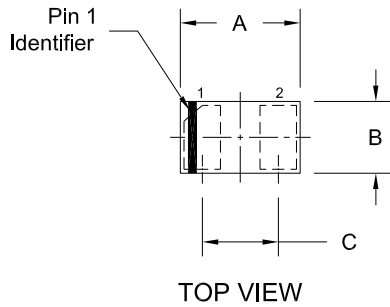
SYMBOL	TEST CONDITIONS	MIN	TYP	MAX	UNITS
$I_R$	$V_R=10\text{V}$		0.08	1.0	$\mu\text{A}$
$I_R$	$V_R=40\text{V}$		0.35	2.0	$\mu\text{A}$
$BV_R$	$I_R=10\mu\text{A}$	40			V
$V_F$	$I_F=10\text{mA}$		0.33	0.45	V
$V_F$	$I_F=100\text{mA}$			0.52	V
$V_F$	$I_F=200\text{mA}$		0.53	0.60	V
$C_T$	$V_R=4.0\text{V}, f=1.0\text{MHz}$		7.0	10	pF
$t_{rr}$	$I_F=I_R=10\text{mA}, I_{rr}=1.0\text{mA}, R_L=100\Omega$		5.0		ns

R2 (4-January 2010)

**CFSH2-4L**  
**SURFACE MOUNT**  
**SILICON SCHOTTKY DIODE**



**SOD-882L CASE - MECHANICAL OUTLINE**



<b>DIMENSIONS</b>				
SYMBOL	INCHES		MILLIMETERS	
	MIN	MAX	MIN	MAX
A	0.037	0.041	0.95	1.05
B	0.022	0.026	0.55	0.65
C	0.026		0.65	
D	0.000	0.002	0.00	0.05
E	0.012	0.016	0.30	0.40
F	0.018	0.022	0.45	0.55
G	0.008	0.012	0.20	0.30

SOD-882L (REV:R0)

**LEAD CODE:**

- 1) CATHODE
- 2) ANODE

**MARKING CODE: N**

R2 (4-January 2010)